



▲ Applications

1. Water treatment processes
2. Industrial cleaners and dishwashers
3. Pressure boosting systems
4. Heating and cooling for industrial processes
5. Air-conditioning systems, Air freshening, heater devices.
6. Water supply and boosting (drinking water with light chlorinated water)
7. Fertilization systems
6. Domestic and household use

▲ Applicable Medium

1. For clean, non-flammable and non-explosive liquid without solid granules and fibers;
2. Mineral water, soft water, pure water, edible vegetable oil and other light chemical mediums.
3. When the liquid density or viscosity is larger than normal water, it is necessary to select a motor with higher power.
4. Whether a specific liquid is suitable for the pump, it all depends on many factors, among which the most important ones are chlorine content, PH value, temperature, solvent and oil content.

▲ Operating Conditions

1. Liquid temperature: Standard type 2~70°C
Hot water type less than 100°C
2. Ambient temperature: 0~ 50°C
3. Working pressure: Max. 10 bar.
4. Suitable for transport clean water, without solid particles or non-corrosive fluids.

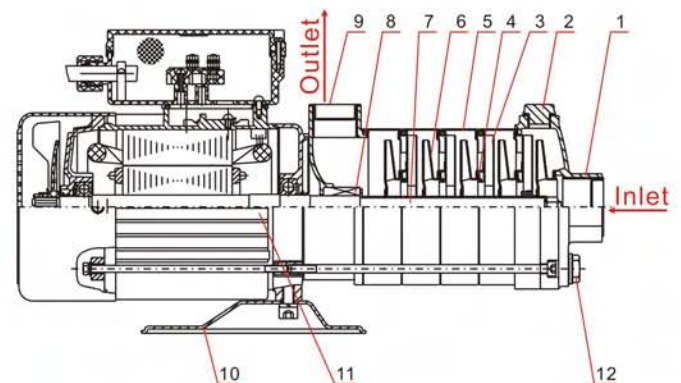
OPTIONAL ECM2-A, ECM4-A Auto Booster Multi-stage Pump



▲ Cross sectional drawing of ECM

No.	Part Name	Std. Material
1	Inlet section	SUS304
2	Priming Plug	SUS304
3	Support guide vane	SUS304
4	Separating sleeve	SUS304
5	Middle section body	SUS304
6	Impeller	SUS304
7	Shaft	SUS410
8	Mechanical seal	CA/CE
9	Outlet section	SUS304
10	Base frame	A3 steel
11	Motor shell	Aluminum Alloy
12	Drainage Plug	SUS304

◎ SIC/SIC Mech seal is available upon request.

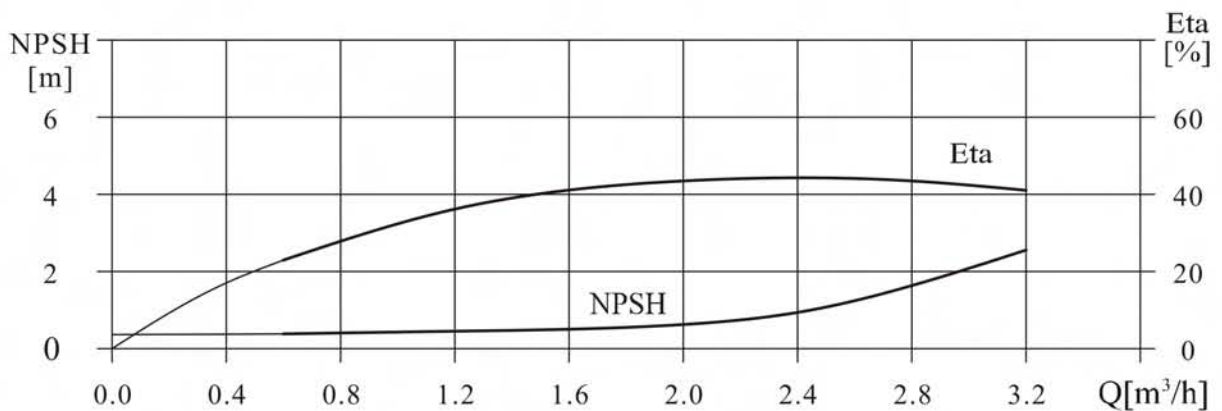
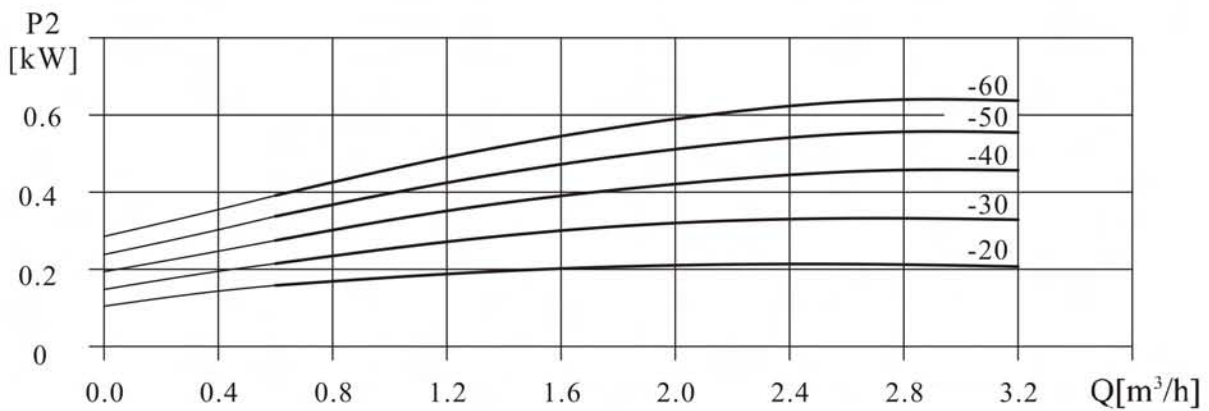
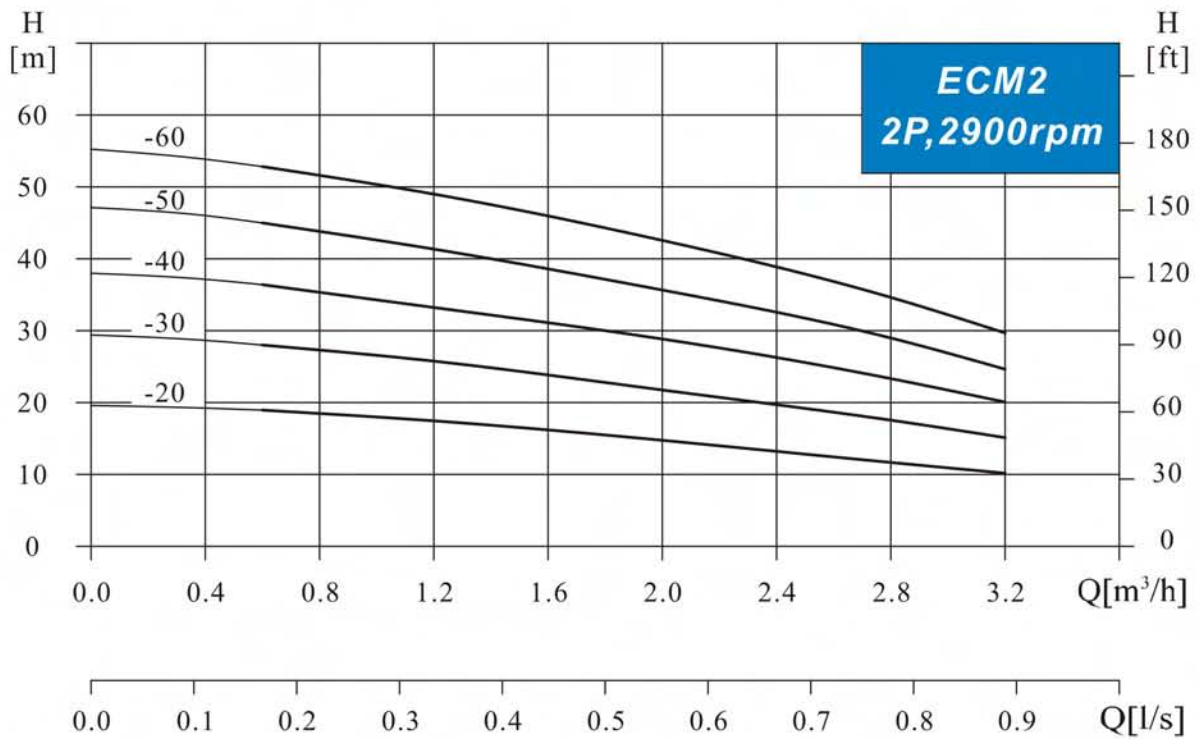


Model	ECM2	ECM4	ECM8	ECM12	ECM16	ECM20
Inlet outlet dia	25	32	40	40	50	50
Inlet	25	32	40	40	50	50
Outlet	25	25	32	40	50	50

Unit:MM

ECM2 Technical Data

▲ Performance Curves



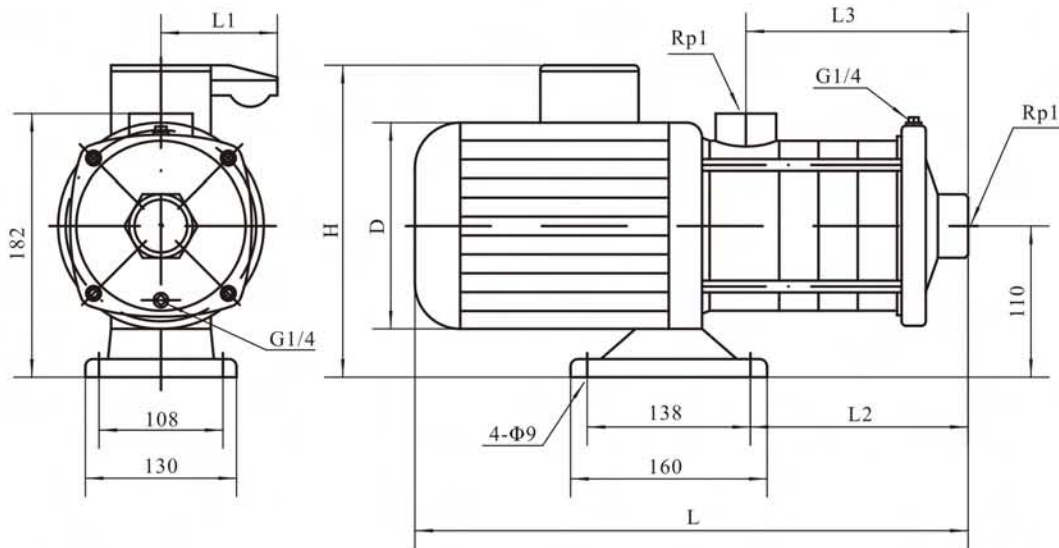
ECM2 Technical Data

Performance Table

Model	Output(P ₂)		Q (m ³ /h)	0.6	1.2	1.6	2	2.4	2.8	3.2
	(kW)	(hp)								
ECM2-20(T)	0.37	0.5	H (m)	18.6	17.6	16	15	13.5	10.6	9.3
ECM2-30(T)	0.37	0.5		27.7	26	24	22	19.5	16.5	13.5
ECM2-40(T)	0.55	0.75		35.7	34	32	29	25.5	23.5	19
ECM2-50(T)	0.55	0.75		45	42	39	36	33	28	24.5
ECM2-60(T)	0.75	1		53	50	47.5	43.5	39	34	29.5

●T : Three phase motor

Installation



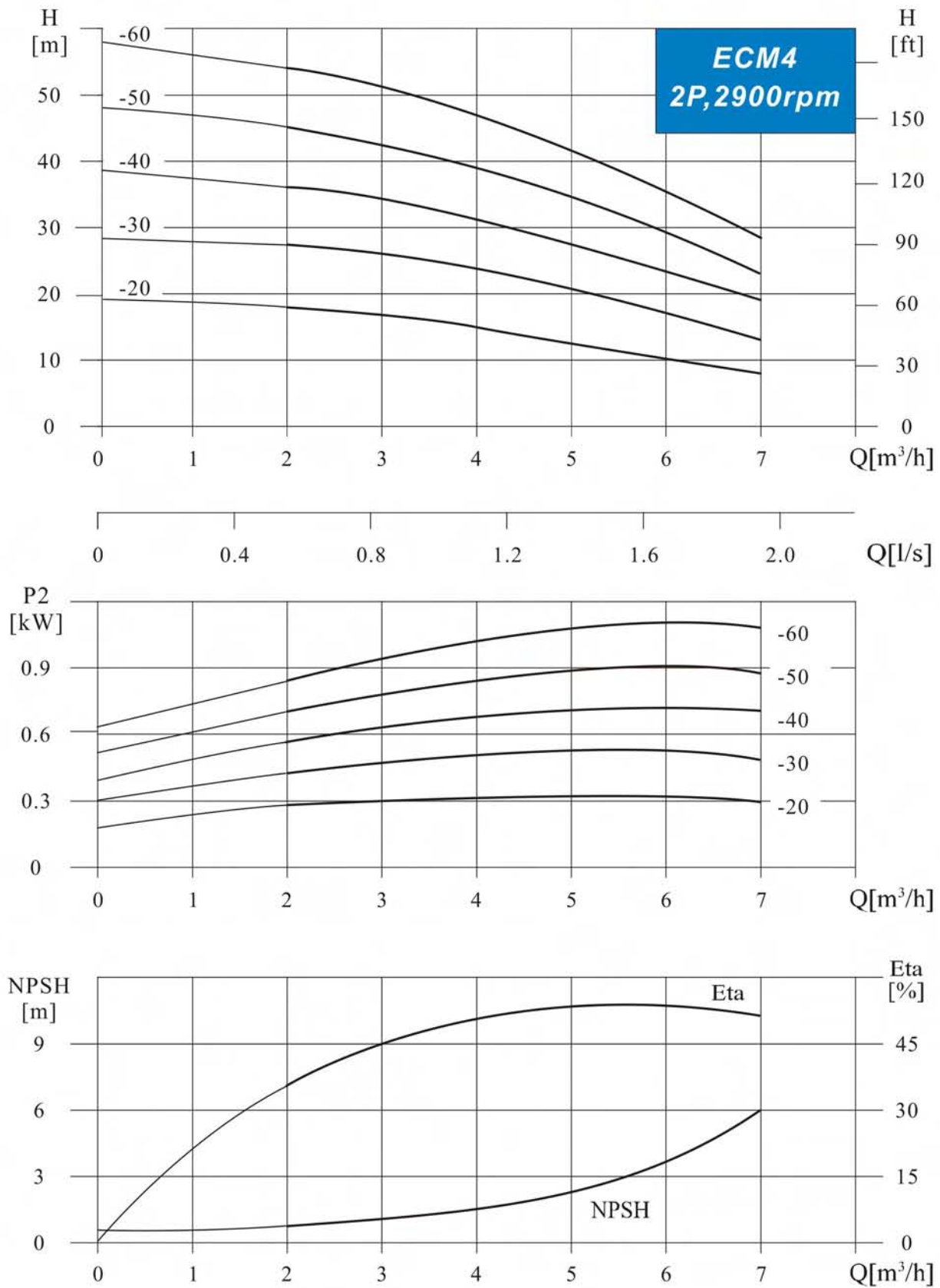
Dimension

Model	Dimension (mm)						Weight (kg)
	L	L1	L2	L3	H 3phase/1phase	D	
ECM2-20(T)	305	96	87	84	215/230	145	13
ECM2-30(T)	323	96	105	102	215/230	145	13
ECM2-40(T)	341	96	123	120	215/230	145	14
ECM2-50(T)	359	96	141	138	215/230	145	14
ECM2-60(T)	422	100	159	156	225/245	170	16

●T : Three phase motor

ECM4 Technical Data

▲ Performance Curves



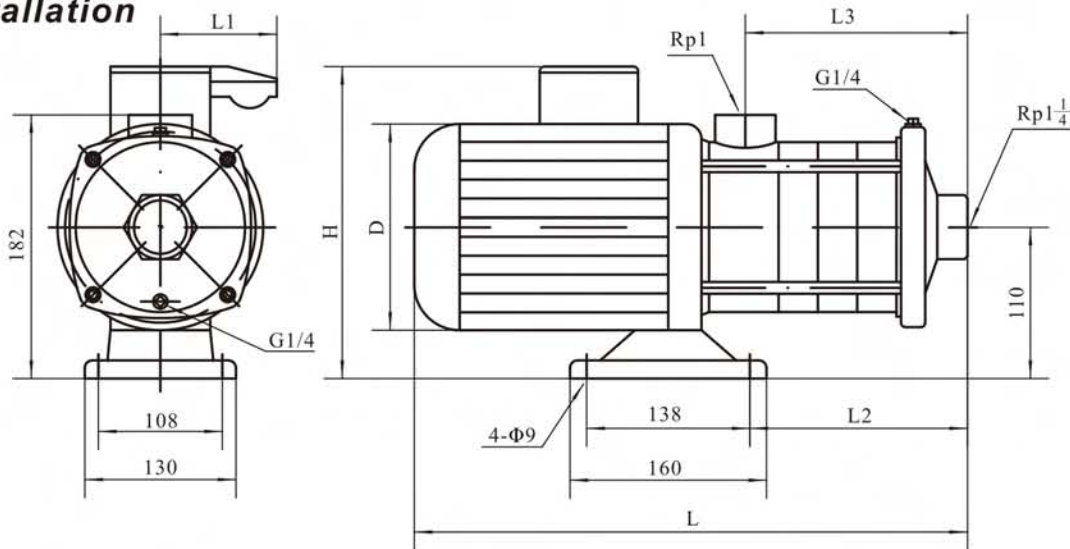
ECM4 Technical Data

Performance Table

Model	Output(P ₂)		Q (m ³ /h)	1	2	3	4	5	6	7
	(kW)	(hp)								
ECM4-20(T)	0.37	0.5	H (m)	19	18	17	15	12.5	10	7.5
ECM4-30(T)	0.55	0.75		28	27	26	23.5	20.5	17	13
ECM4-40(T)	0.75	1		37.5	36	34	31	27	23	19
ECM4-50(T)	1.1	1.5		47	45	42.5	39	34	29	23
ECM4-60(T)	1.1	1.5		56	54	51	47	41.5	35.5	28

●T : Three phase motor

Installation



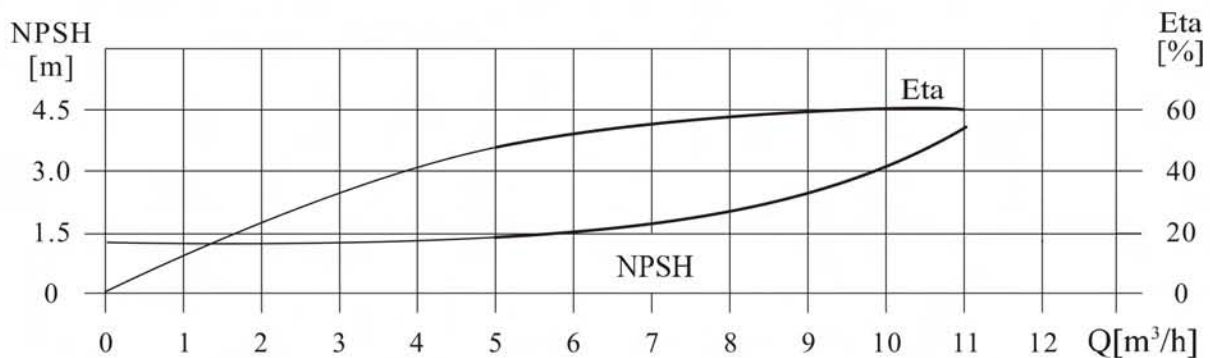
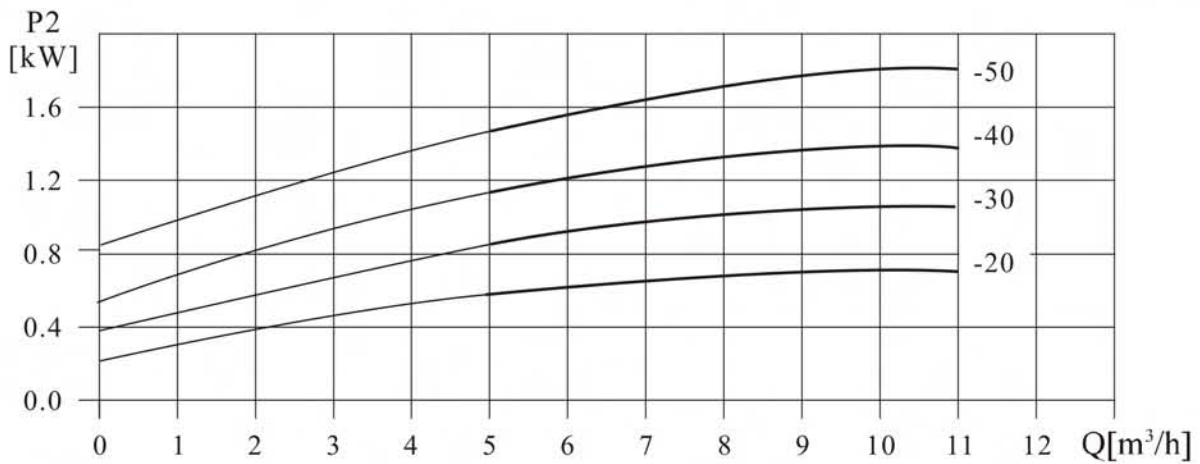
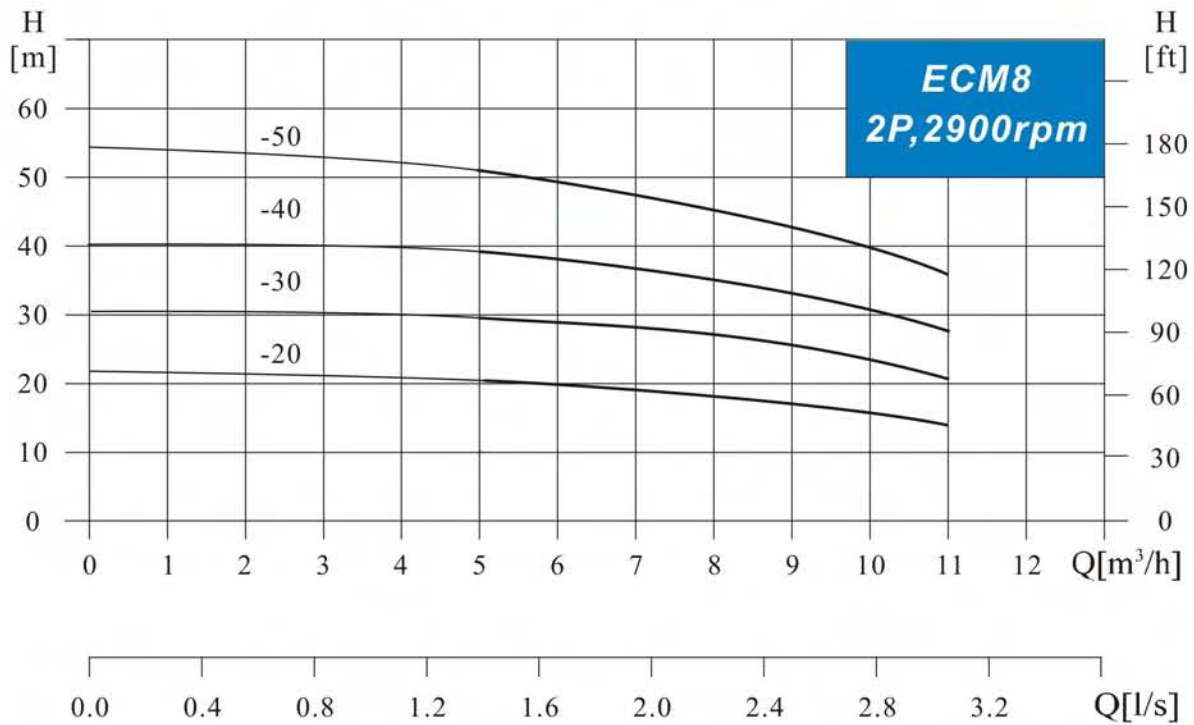
Dimension

Model	Dimension (mm)						Weight (kg)
	L	L1	L2	L3	H 3phase/1phase	D	
ECM4-20(T)	329	96	105	102	215/230	145	12
ECM4-30(T)	356	96	132	129	215/230	145	13
ECM4-40(T)	416	100	159	156	225/245	170	14
ECM4-50(T)	455	100	188	183	225/245	170	16
ECM4-60(T)	482	100	215	210	225/245	170	16

●T : Three phase motor

ECM8 Technical Data

▲ Performance Curves



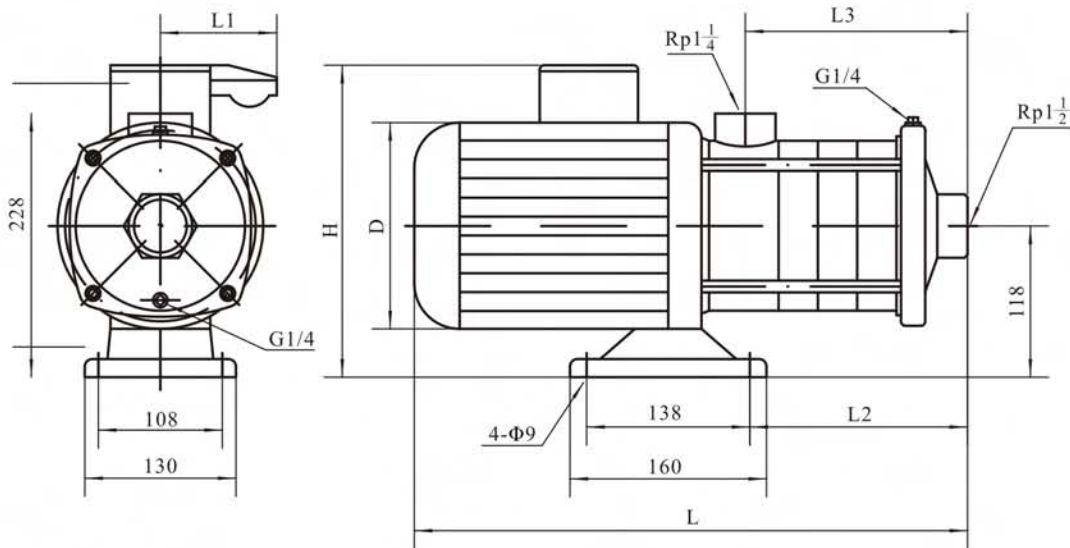
ECM8 Technical Data

▲ Performance Table

Model	Output(P ₂)		Q (m ³ /h)	5	6	7	8	9	10	11
	(kW)	(hp)								
ECM8-20(T)	0.75	1	H (m)	19.5	19	18.5	17.5	16.5	15	13.5
ECM8-30(T)	1.1	1.5		29	28.5	27.5	26.5	24	22	20
ECM8-40(T)	1.5	2		39	38	36.5	35	32	29.5	26
ECM8-50(T)	2.2	3		50.5	49	46.5	44	41	38	33

●T : Three phase motor

▲ Installation



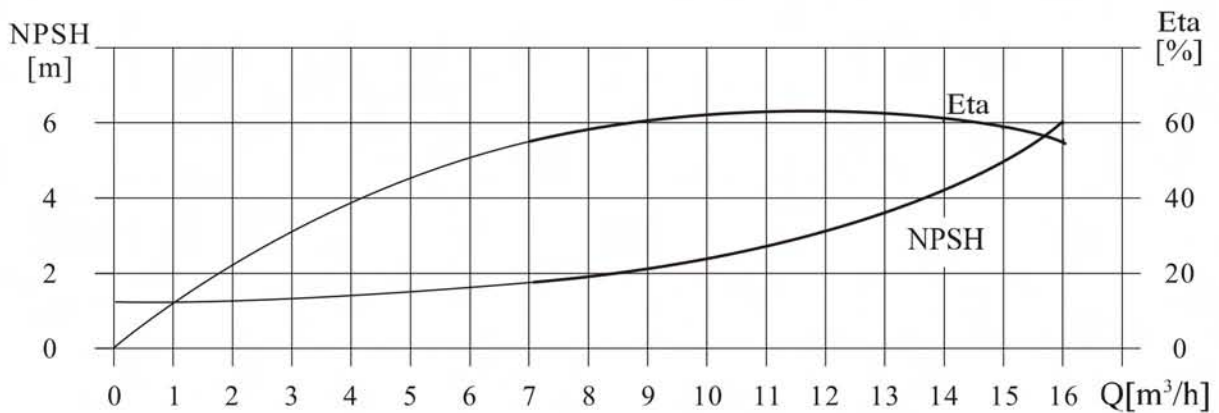
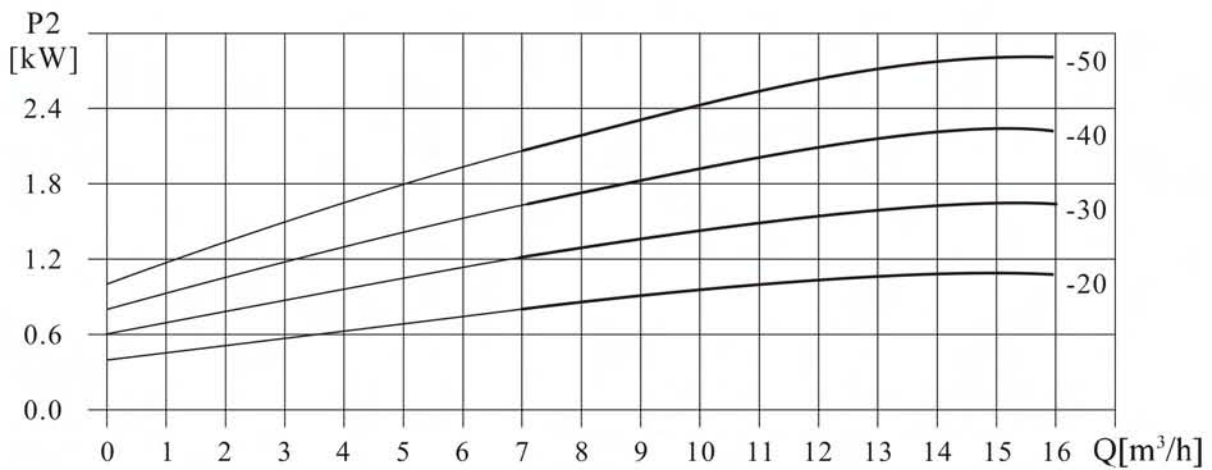
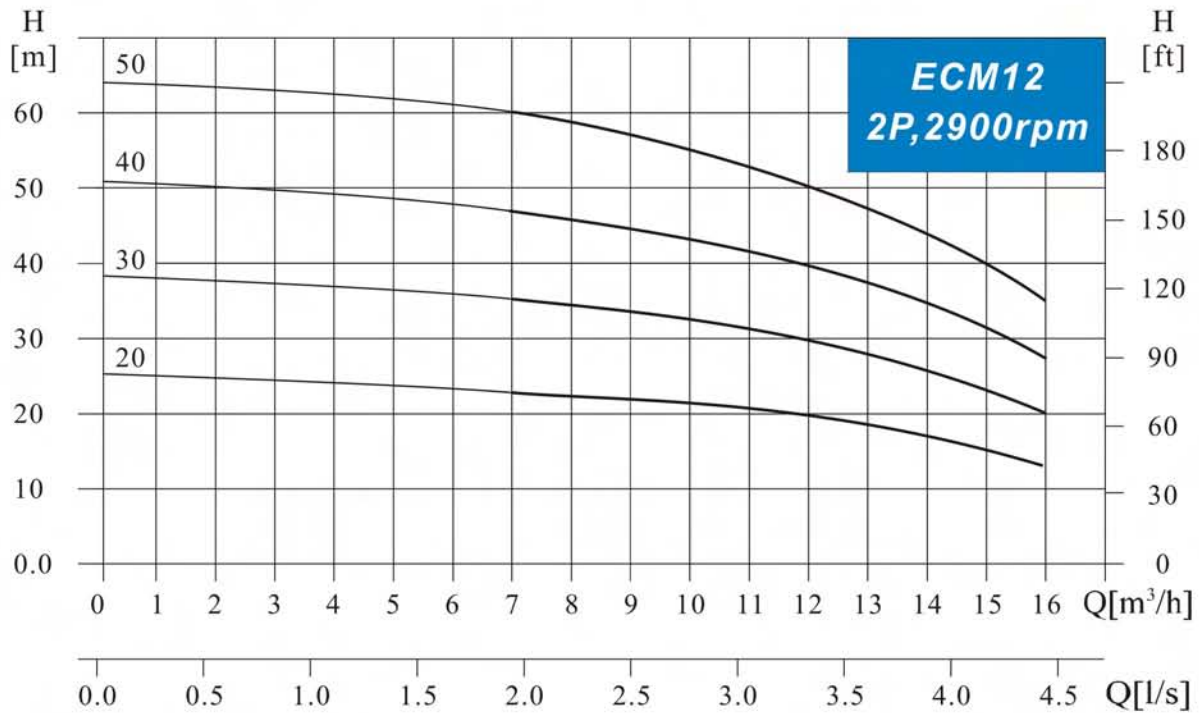
▲ Dimension

Model	Dimension (mm)						Weight (kg)
	L	L1	L2	L3	H 3phase/1phase	D	
ECM8-20(T)	395	100	126	108	230/265	170	20
ECM8-30(T)	425	100	156	138	230/265	170	24
ECM8-40(T)	490	100	186	168	240/270	180	28
ECM8-50(T)	520	100	216	198	240/270	180	30

●T : Three phase motor

ECM12 Technical Data

▲ Performance Curves



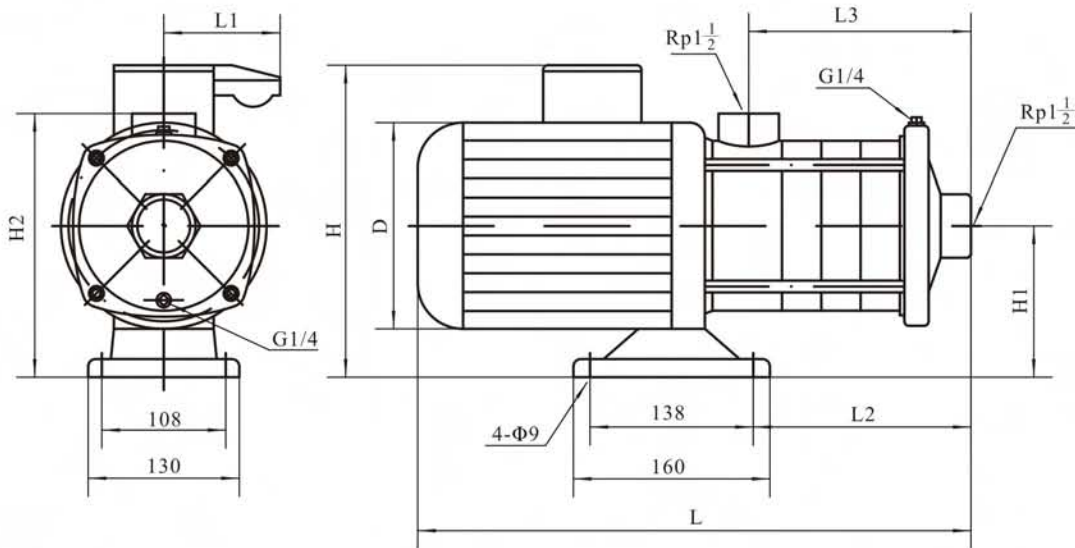
ECM12 Technical Data

▲ Performance Table

Model	Output(P ₂)		Q (m ³ /h)	7	9	11	12	13	15	16
	(kW)	(hp)								
ECM12-20(T)	1.5	2	H (m)	23	22	20.5	19.5	18.5	15.5	13
ECM12-30(T)	1.85	2.5		35	33.5	31	29.5	28	23.5	20
ECM12-40(T)	2.2	3		47	45	41.5	39.5	37.5	31.5	27.5
ECM12-50T	3.0	4		60	56.5	52.5	50	47	40	35

●T: Three phase motor

▲ Installation



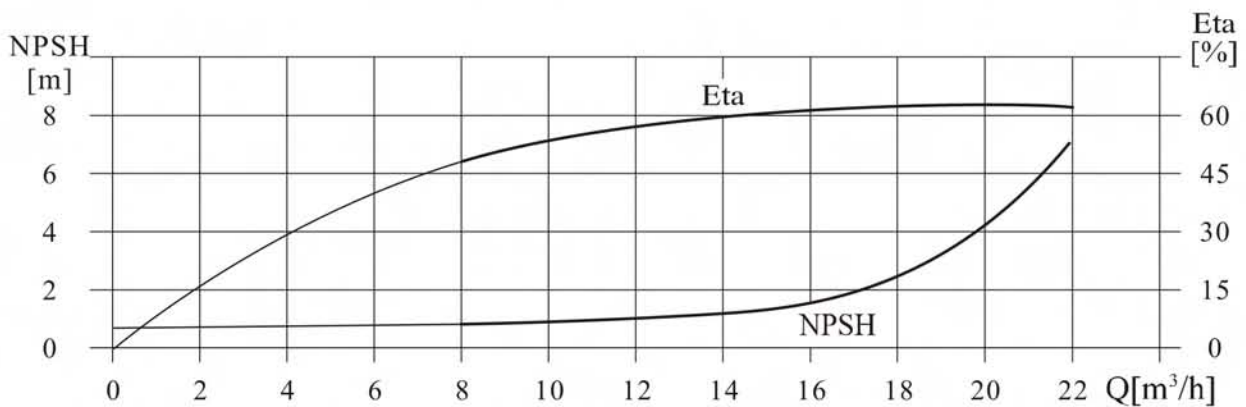
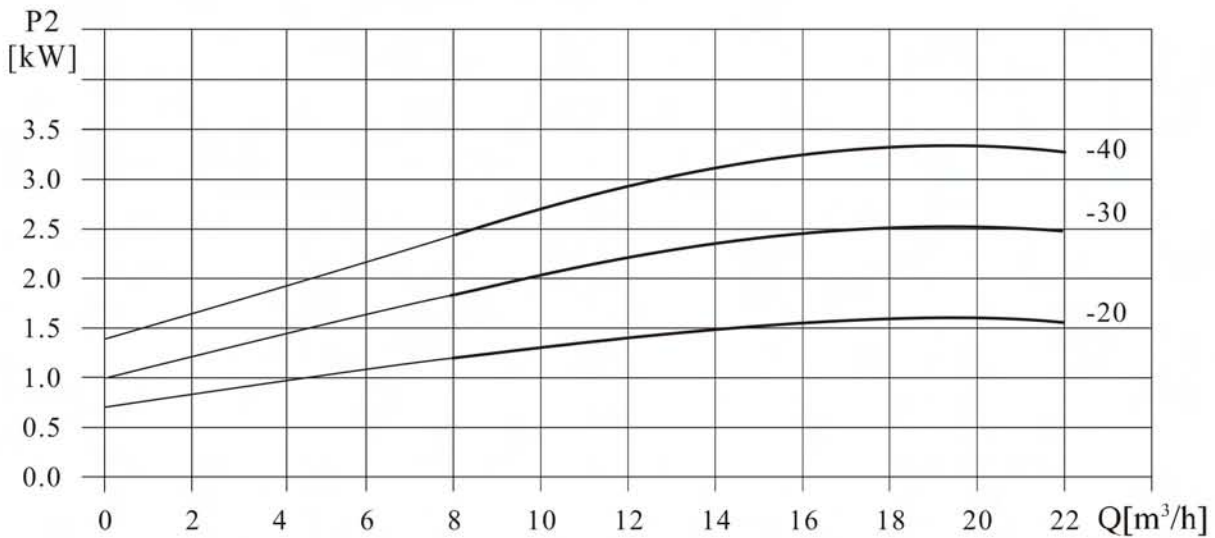
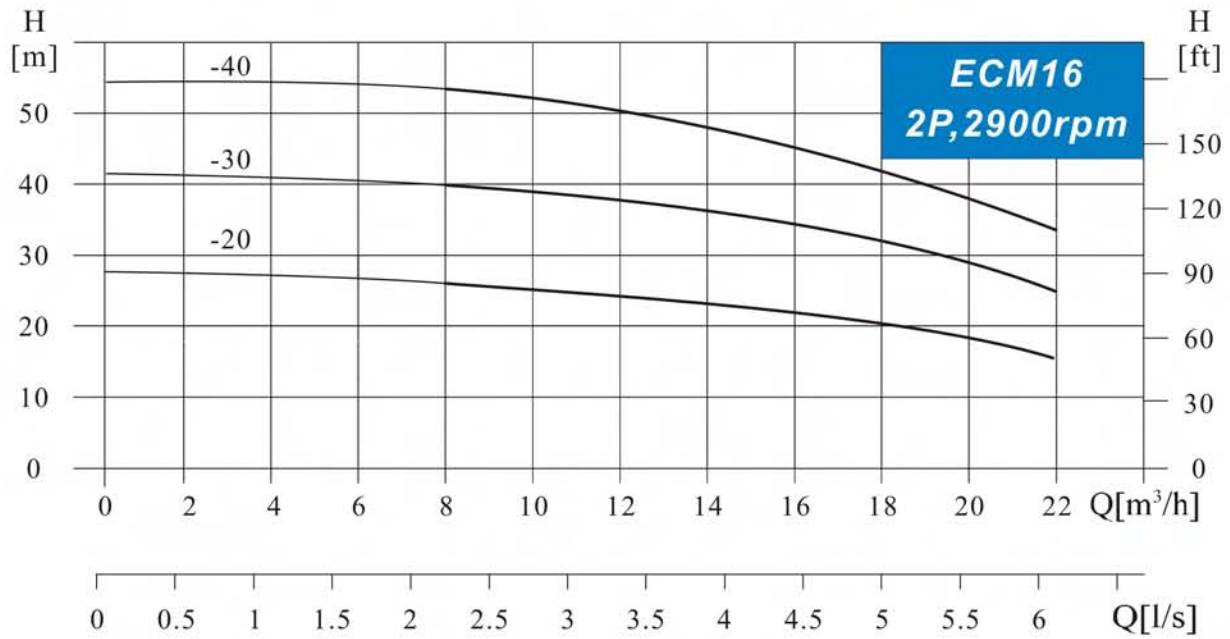
▲ Dimension

Model	Dimension (mm)								Weight (kg)
	L	L1	L2	L3	H 3phase/1phase	H1	H2	D	
ECM12-20(T)	395	100	126	108	230/265	118	228	170	21
ECM12-30(T)	460	100	156	138	240/270	118	228	180	25
ECM12-40(T)	490	100	186	168	240/270	118	228	180	29
ECM12-50T	555	100	216	198	270/—	126	240	195	34

●T: Three phase motor

ECM16 Technical Data

▲ Performance Curves



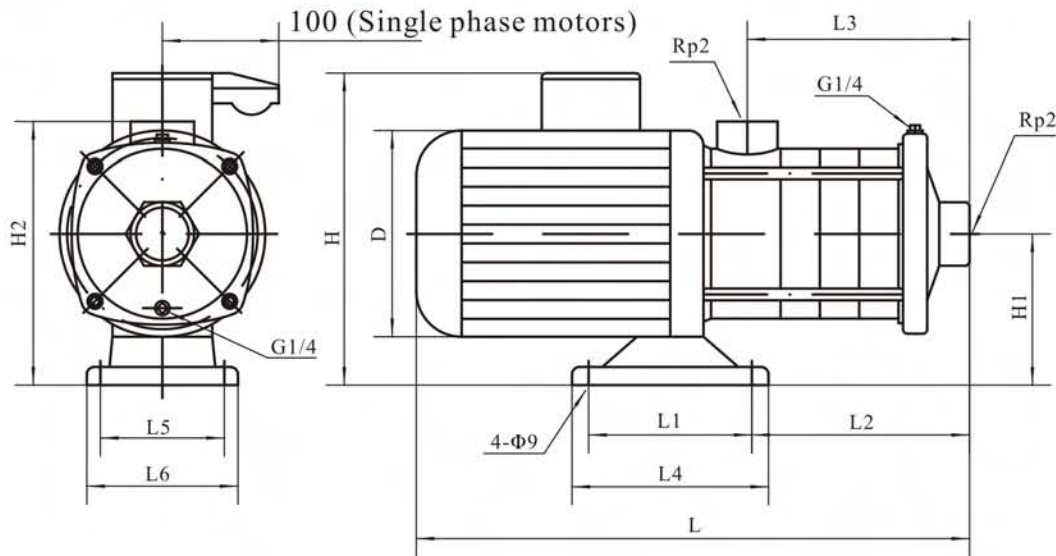
ECM16 Technical Data

Performance Table

Model	Output(P ₂)		Q (m ³ /h)	8	10	12	14	16	18	20	22
	(kW)	(hp)		H (m)							
ECM16-20(T)	2.2	3	H (m)	26	25	24	23	21.6	20	18	15.5
ECM16-30T	3	4		40	39	38	36	34	31.5	29	25
ECM16-40T	4	5.5		53.5	52	50	48	45	42	38	33.5

●T : Three phase motor

Installation



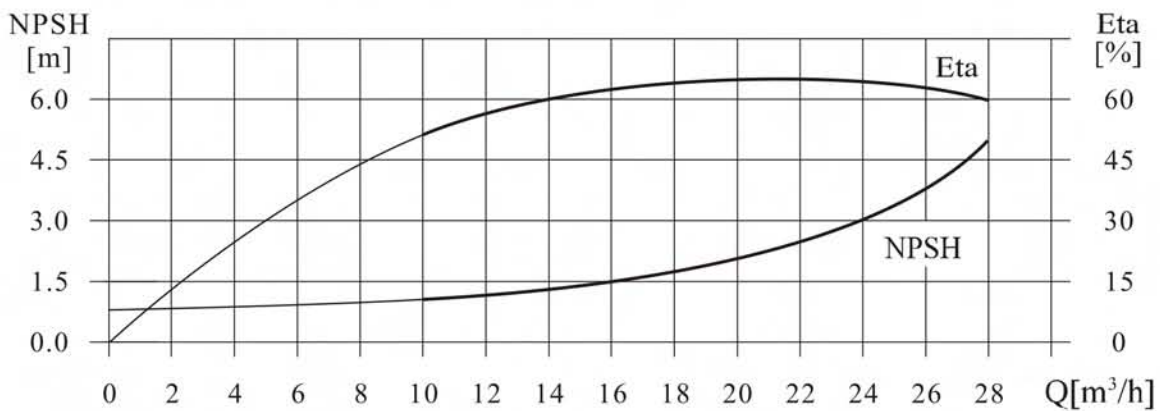
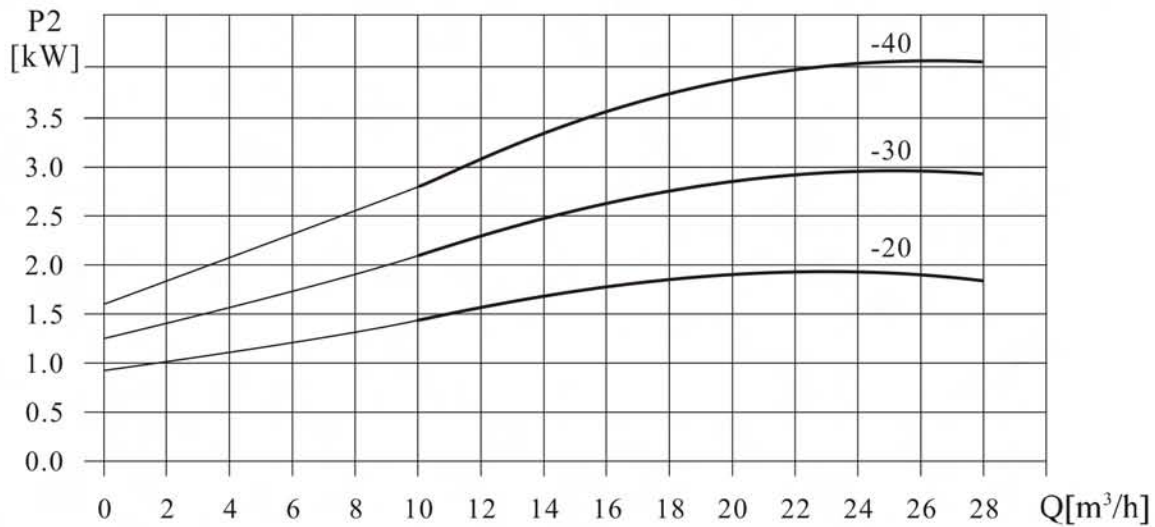
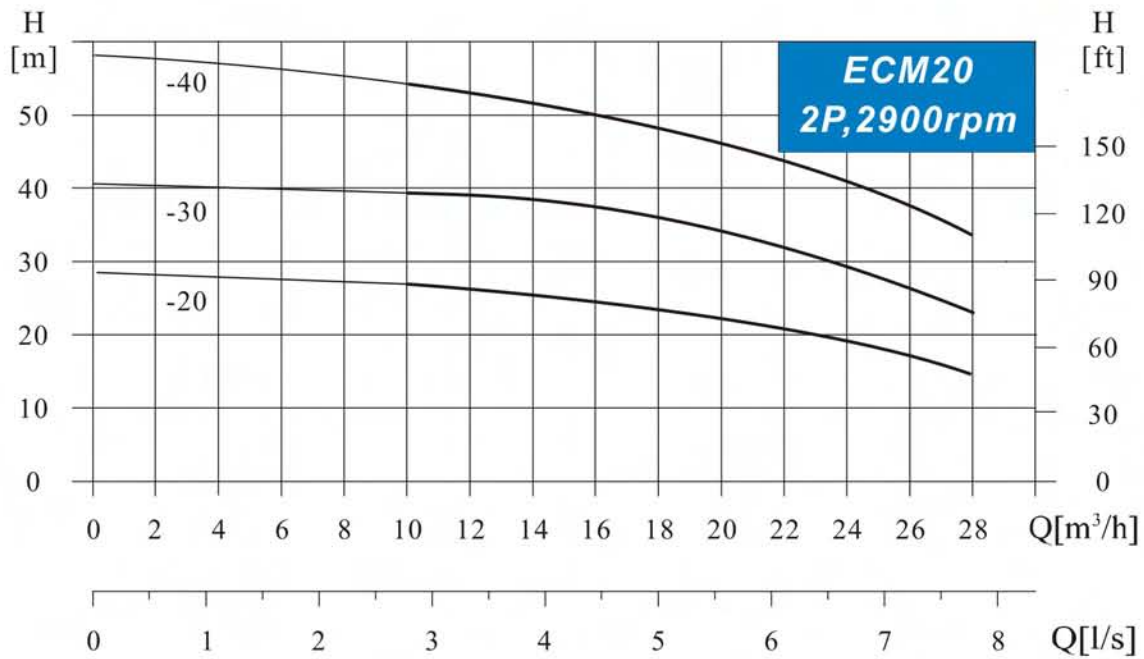
Dimension

Motor	Specification (mm)												Weight (kg)
	L	L1	L2	L3	L4	L5	L6	H Three Phase	H Single Phase	H1	H2	D	
ECM16-20(T)	455	138	151	126	160	108	130	240	270	118	228	180	27
ECM16-30T	561	138	196	171	160	108	130	270	—	130	240	195	33
ECM16-40T	621	140	340	216	170	190	230	270	—	120	230	220	40

●T : Three phase motor

ECM20 Technical Data

▲ Performance Curves



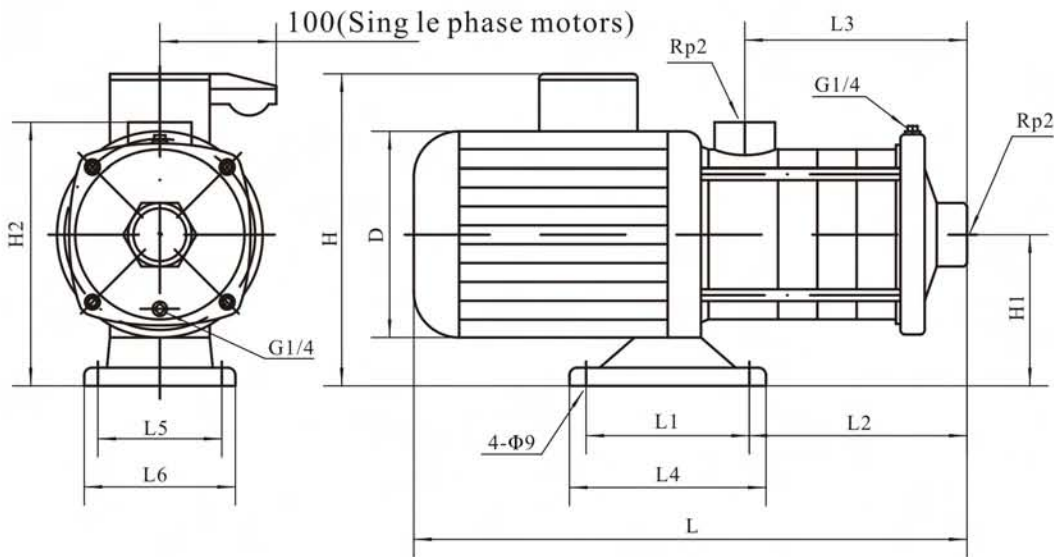
ECM20 Technical Data

Performance Table

Model	Output(P ₂)		Q (m ³ /h)	10	14	16	18	20	22	24	28
	(kW)	(hp)		H (m)							
ECM20-20(T)	2.2	3		27	25.5	25	23.5	22	20.5	18.5	14.5
ECM20-30T	4	5.5		39.5	38	37.5	35.5	34	31	29	23
ECM20-40T	4.5	6		53	51	50	48.5	46.5	43	40	32.5

●T: Three phase motor

Installation



Dimension

Motor	Specification (mm)												Weight (kg)
	L	L1	L2	L3	L4	L5	L6	H Three Phase	H Single Phase	H1	H2	D	
ECM20-20(T)	455	138	151	126	160	108	130	240	270	118	228	180	27
ECM20-30T	576	140	294	171	170	190	230	270	—	120	230	220	40
ECM20-40T	621	140	340	216	170	190	230	270	—	120	230	220	44

●T: Three phase motor