

50HZ



ESTP35~120



ESTP150~300

▲ Operating Conditions

1. Ambient temperature:0~+40°C.
2. Liquid temperature:0~+60°C.
3. Max.Working Pressure:
ESTP35~120: 2.5 bar.
ESTP150~300:3.0 bar.

▲ Applications

Re-circulation and filtration systems, Jetted bath tubs, spa pools, Swimming pools, massage stations, cleaning system , water circulation for aquiculture .

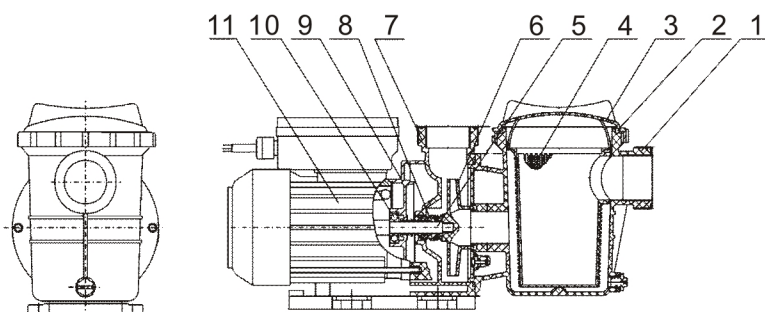
▲ Features

1. Motor/pump shaft do not contact with water.
2. Total separation of fluid.
ESTP35-120: 0.8L strainer basket.
ESTP150-300: 2.2L strainer basket.
3. Pump casing, casing cover & impeller are made of highly reinforced plastic.
4. Inlet and outlet can use quick connector.

▲ Motor Spec.

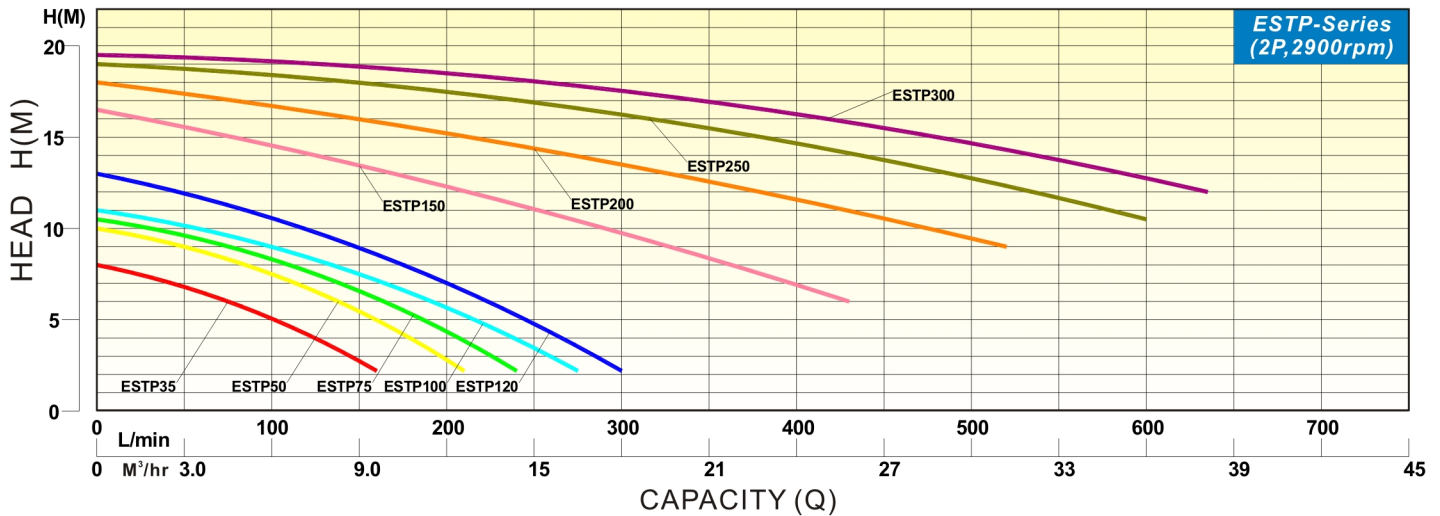
1. 2-pole induction motor.
Single-phase 220~240V/50Hz.
Three-phase 220~440V/50Hz
60HZ motor is available upon request.
2. Single-phase with thermal protector.
,capacitor inside terminal box.
3. Insulation class F.
4. Protection IP55.
5. Continuous duty.(24 hours)

▲ Parts & Materials



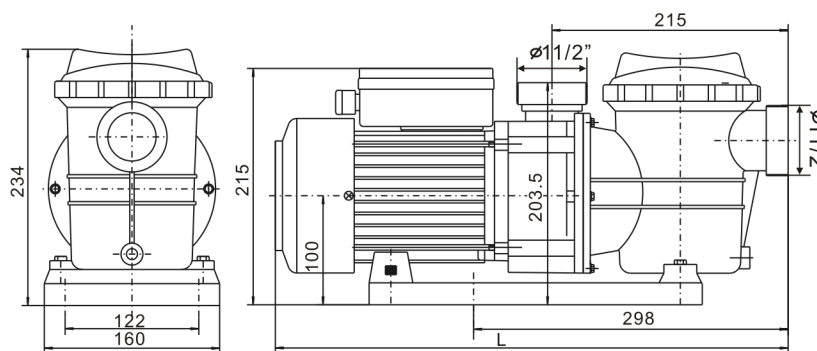
Part Name	Material
1. Pump Cover	PP-G20
2. O-ring	NBR
3. Transparent Cover	PC
4. Strainer	PP
5. Shaft	SUS420
6. Impeller	PA6+GF30
7. Pump Casing	PP-G20
8. Mechanical Seal	CA+CE+SIC
9. Front Cover	PP-G20
10. Bearing	-----
11. Motor Shell	Aluminum Alloy

Performance Curves



Specification & Dimensions

Model	Power		Pole	Inlet/Outlet		Max.Cap. L/min	Net weight KG	L mm
	KW	HP		Inch	M			
ESTP35	0.25	0.35	2	1 1/2"	8.0	160	5.5	445
ESTP50	0.37	0.5	2	1 1/2"	10.0	210	6.0	445
ESTP75	0.55	0.75	2	1 1/2"	10.5	240	7.5	465
ESTP100	0.75	1.0	2	1 1/2"	11.0	275	8.5	465
ESTP120	0.9	1.2	2	1 1/2"	13.0	300	9.5	465



Model	Power		Pole	Inlet/Outlet		Max.Cap. L/min	Net weight KG	L mm
	KW	HP		Inch	M			
ESTP150	1.1	1.5	2	2"	16.5	430	13.5	575
ESTP200	1.5	2.0	2	2"	18.0	520	14.0	575
ESTP250	1.8	2.5	2	2"	19.0	600	15.0	575
ESTP300	2.2	3.0	2	2"	19.5	635	17.0	600

